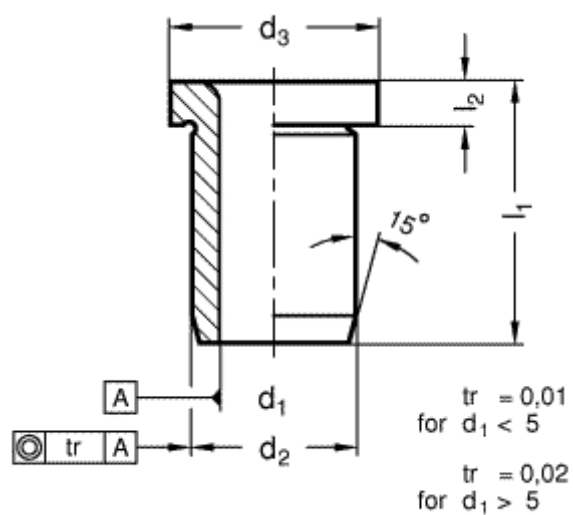


Article number: 201134003

Description: E+G Guide bush DIN 172-B2,1-6-A
(M3) with collar

Measures



$d_1 = 2,1$

$d_2 = 5$

$d_3 = 8$

$l_1 = 6$

$l_2 = 2$